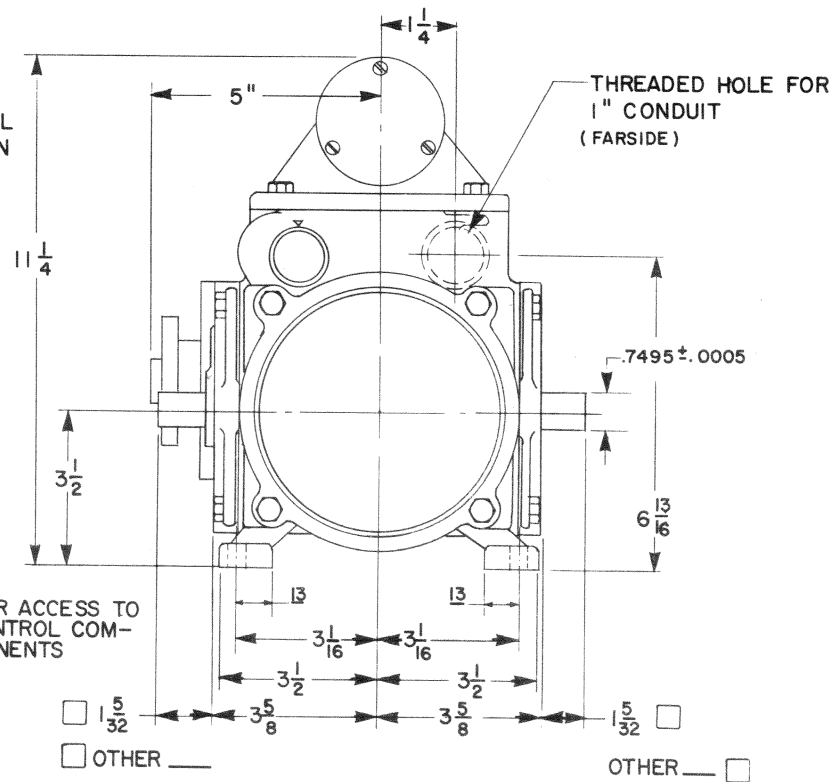
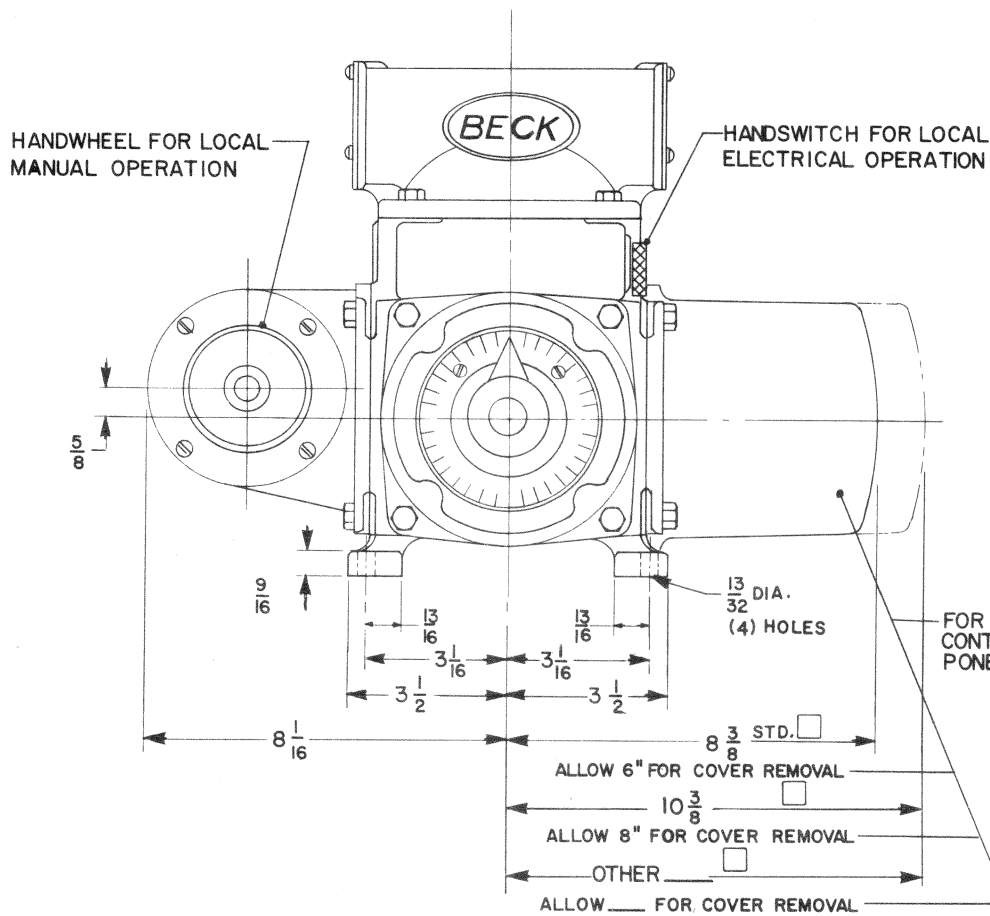


REVISION		
NO.	DESCRIPTION	Dr.



16-1110-53

<small>UNLESS OTHERWISE SPECIFIED DIMENSIONS ARE IN INCHES TOLERANCES ON FRACTIONS ± 1/64 DECIMALS ± .005 ANGLES ± ALL SURFACES ✓</small>	<b>HAROLD BECK &amp; SONS INC</b> <small>NEWTOWN INDUSTRIAL COMMONS NEWTOWN, PENNSYLVANIA 18840, USA</small>		<small>DRAWN</small> <b>TC 7-21-72</b>	<small>X NO.</small> _____	<small>SCALE</small> _____	
	TITLE <b>OUTLINE DIMENSIONS BECK 25-102/103 MULTI-REV. ACTUATOR</b>		<small>CHECKED</small> EJC	<small>DRAWING NUMBER</small> 16-1110-53		
	<small>REF DWGS</small>		<small>APPROVED</small> EJC	16-1110-53		
	C					